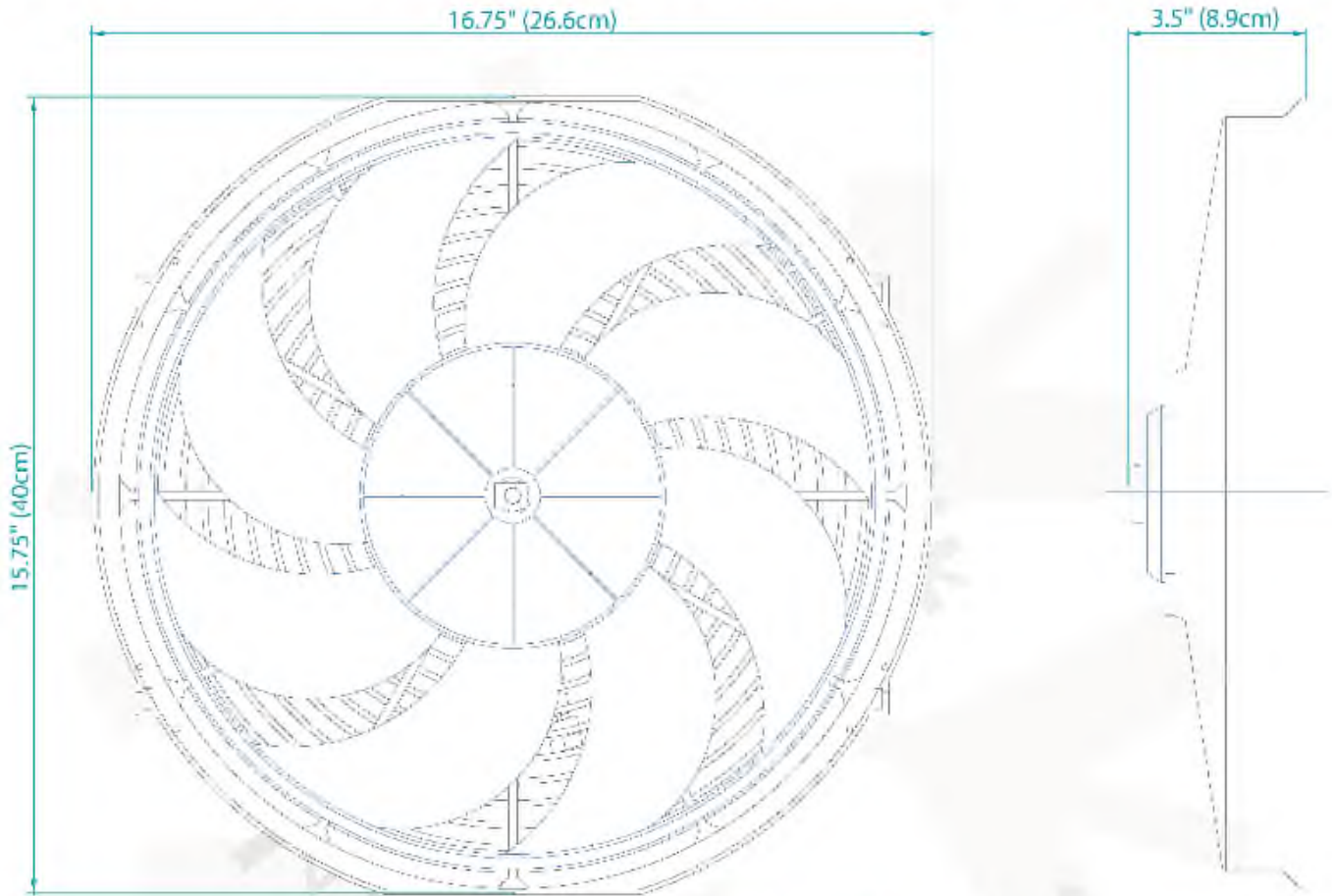
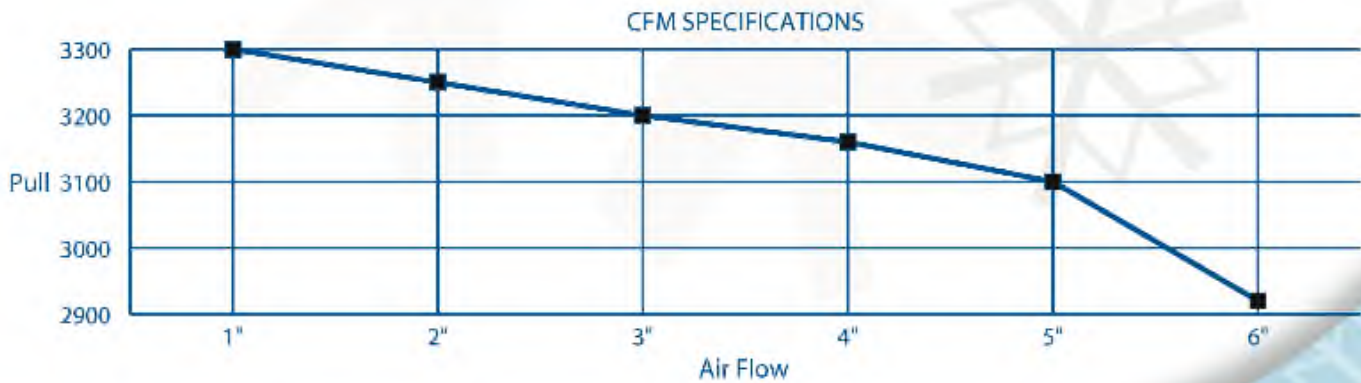


# ZF16S • 16" High Performance S Blade Fan



12 Volt • 10.0±0.5A • 96W • 55W Output

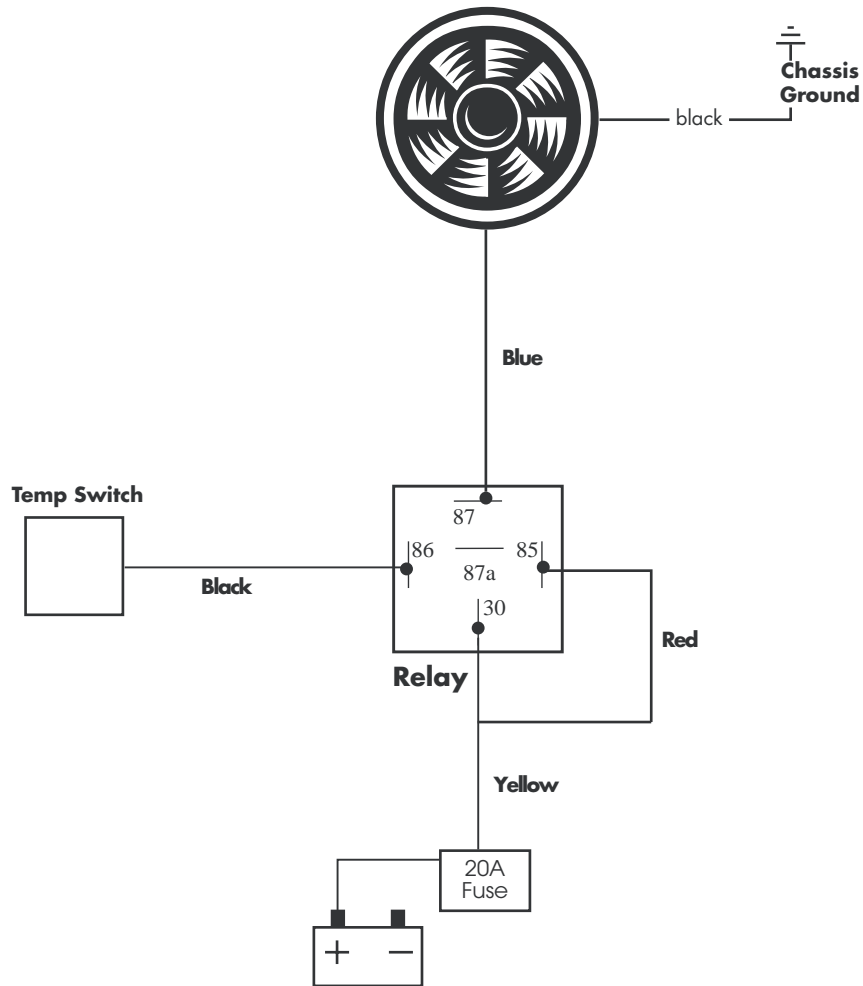


USER GUIDE AND INSTALLATION MANUAL  
**TEMPERATURE SWITCH**



**Install Temperature Switch**

- A. Connect post 87 (Blue Wire) on your relay to fan positive wire.
- B. Connect post 30 (Yellow Wire) on your relay to a 20A fused 12V power source.
- C. Connect post 86 (Black Wire) on your relay to your temperature switch.



**WIRING DIAGRAM**